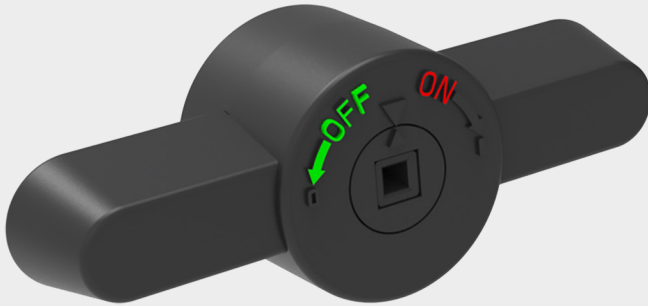


—  
INSTALLATION INSTRUCTION

## NFPA79

Handle 1SDA085244R6 for OT30F, OT60F,  
OT100F, OT160G\_, OT200U, OS63...200J\_



# Handle NFPA79

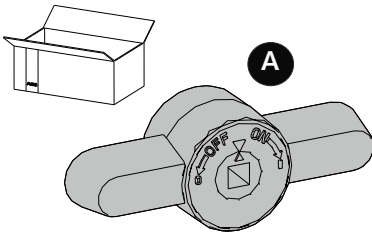
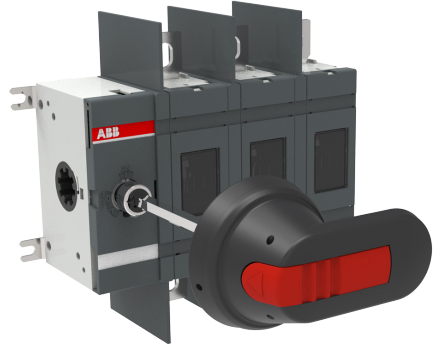
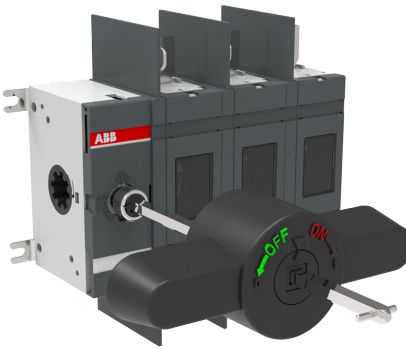


Fig. 1

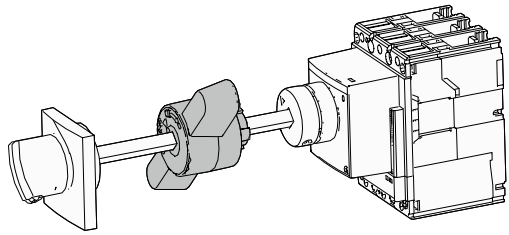


Fig. 2

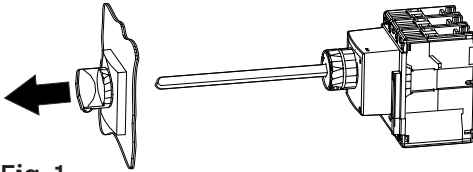


Fig. 3

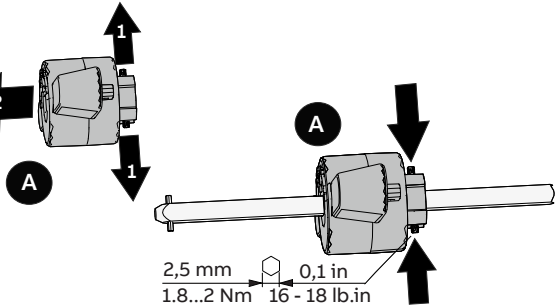


Fig. 4

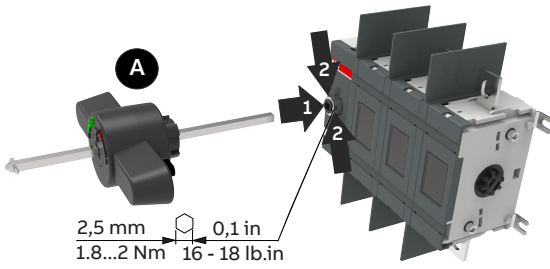


Fig. 5

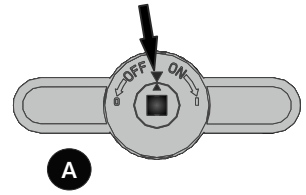


Fig. 6

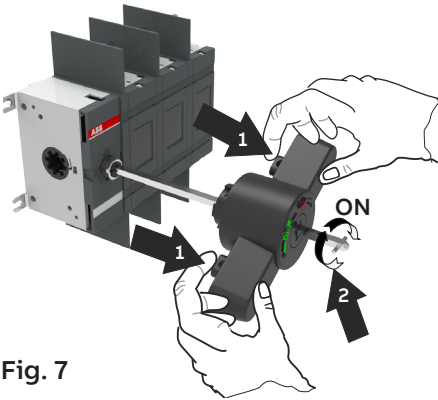


Fig. 7

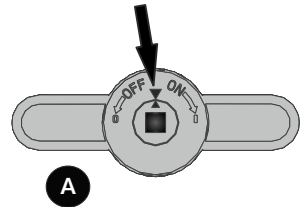


Fig. 8

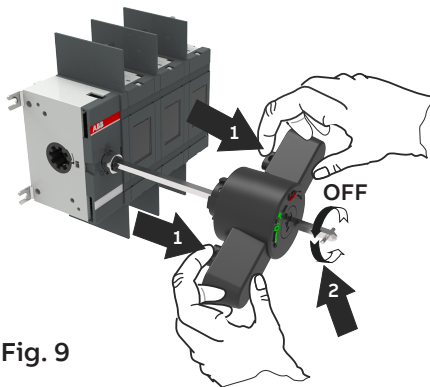


Fig. 9

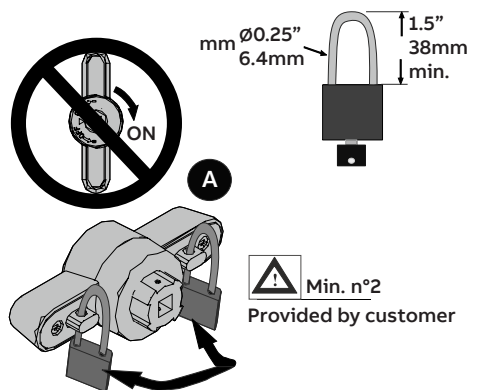


Fig. 10



---

## Contact us

### **ABB Oy**

P.O. Box 622  
FI-65101 Vaasa  
Finland

**[abb.com/lowvoltage](https://www.abb.com/lowvoltage)**