

—
INSTALLATION INSTRUCTION

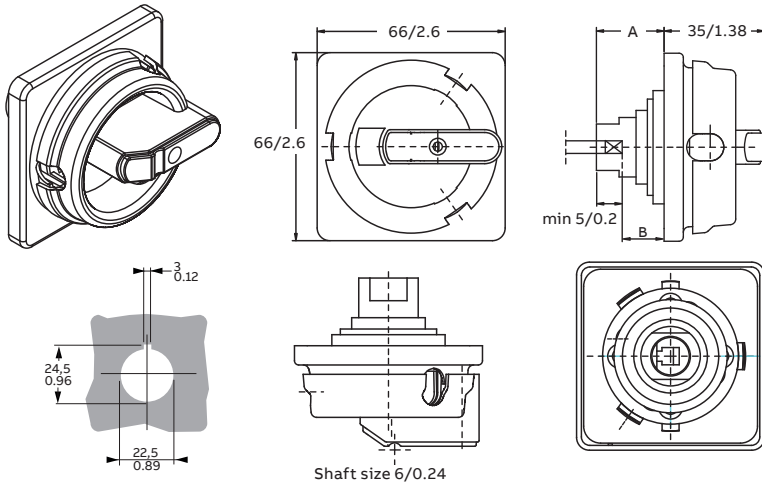
Padlockable handle

OZ331_P_



Mounting the drive on the switch cabinet

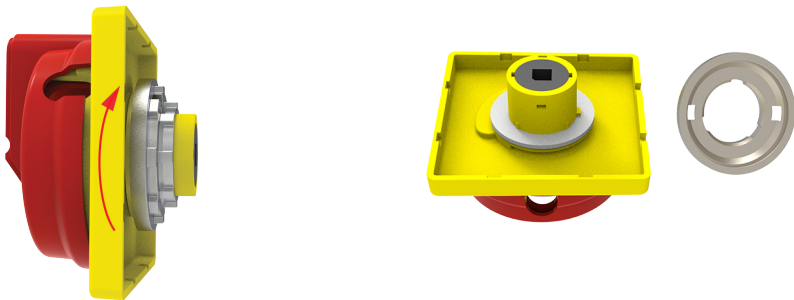
Round padlockable handle types OZ331_P_



Handle type	OZ331_P_
	mm/in
A	24/0.94
B	3-10/0.12-0.39

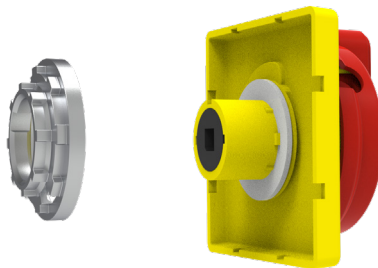
1. Step

Unscrewing the nut from the thread.



2. Step

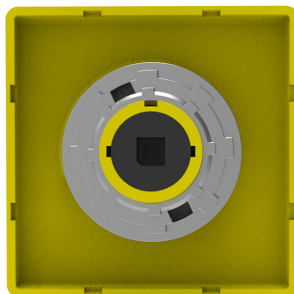
Place the drive on the hole in the control cabinet door and screw the nut onto the thread from behind.



3. Step

Check the assembly of the drive

- if the drive lies flat on the wall unit
- if the drive is in the correct position
- is the nut tightened 2,0 Nm





Contact us

ABB Oy

P.O. Box 622
FI-65101 Vaasa
Finland

abb.com/lowvoltage